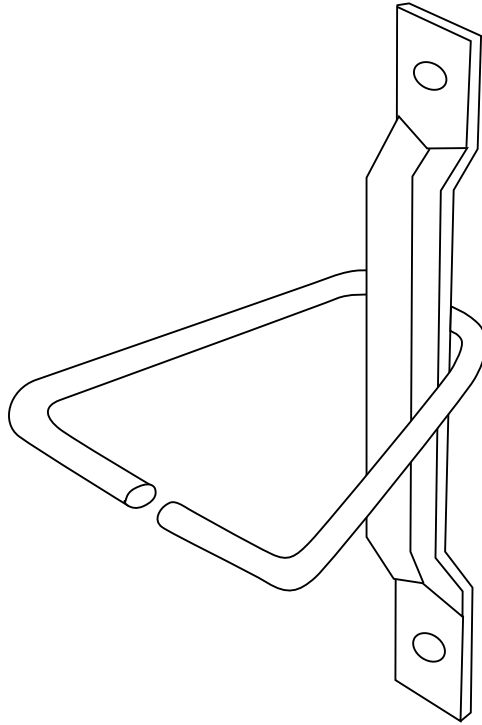


# COVE

FOUR/WEST

## Cove-359



Drawings For Illustrative Purposes Only.

**WIRE (Carbon Steel):**

Cold-drawn steel wire conforming to ASTM A 82:  
Tensile strength - 80,000 p.s.i.  
Yield Point - 70,000 p.s.i. minimum

**Zinc Coating:**

Hot-dip galvanized after fabrication:  
ASTM A 153 (1.5 oz/ft)  
Note: Cove Four will certify to a minimum of 2.0 oz/ft

**WIRE (Stainless Steel):**

ASTM A 580 - AISI Type 304. (Type 316 available on special order.)

**SHEET METAL (Carbon Steel):**

ASTM A 366

**Zinc Coating:**

ASTM A 153 Class B (sheet metal ties and anchors hot-dip galvanized after fabrication).  
Note: Cove Four will certify to a minimum of 2.0 oz/ft

**Sheet Metal (Stainless Steel):**

ASTM A 167 - AISI Type 304 Stainless Steel (sheet metal ties and anchors) (Type 316 available on special order).  
Note: Cove Four recommends Stainless Steel for maximum protection against corrosion.

Cove-10  Cove-359

**THICKNESS:**

14 Gauge

**VEE TIE DIAMETER:**

3/16"Ø Standard  
 1/4"Ø Heavyweight

**VEE TIE LENGTH:**

3"  3 1/2"  4"  4 1/2"  5"  
 Other Length \_\_\_\_\_

**FINISH:**

Hot Dip Galvanized  Stainless Steel

195 East Merrick Rd., Freeport, NY 11520 • Tel: 516.379.4232 • Fax: 516.379.4563  
12282 Knott St., Garden Grove, CA 92841 • Tel: 714.891.2358 • Fax: 714.891.3731  
Email: info@covefour.com • www.covefour.com