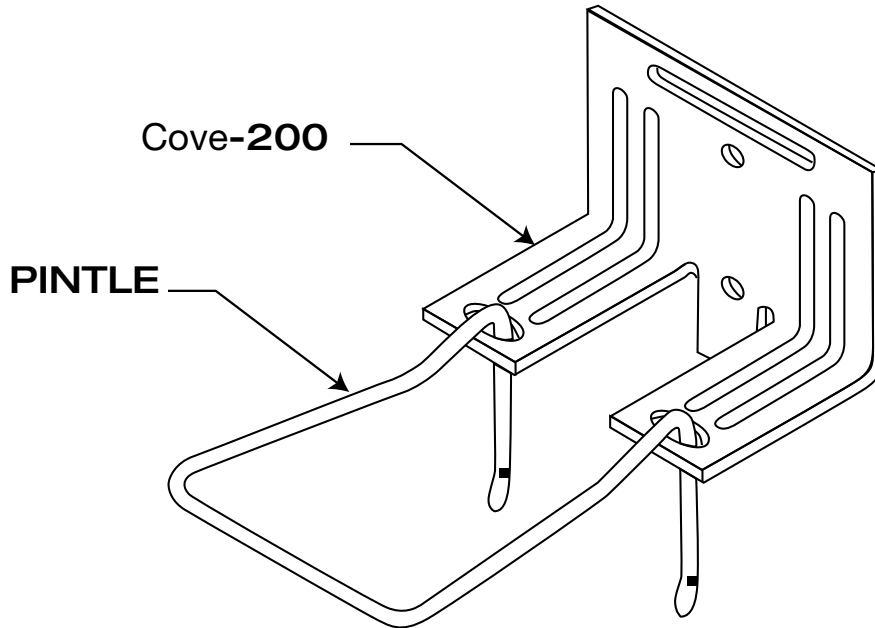


COVE

FOUR/WEST

Cove-200



Drawings For Illustrative Purposes Only.

WIRE (Carbon Steel):

Cold-drawn steel wire conforming to ASTM A 82:
Tensile strength - 80,000 p.s.i.
Yield Point - 70,000 p.s.i. minimum

Zinc Coating:

Hot-dip galvanized after fabrication: ASTM A 153 (1.5 oz/ft)
Note: Cove Four will certify to a minimum of 2.0 oz/ft

WIRE (Stainless Steel):

ASTM A 580 - AISI Type 304. (Type 316 available on special order.)

SHEET METAL (Carbon Steel):

ASTM A 366

Zinc Coating:

ASTM A 153 Class B (sheet metal ties and anchors hot-dip galvanized after fabrication).

Note: Cove Four will certify to a minimum of 2.0 oz/ft

SHEET METAL (Stainless Steel):

ASTM A 167 - AISI Type 304 Stainless Steel (sheet metal ties and anchors) (Type 316 available on special order).

Note: Cove Four recommends Stainless Steel for maximum protection against corrosion.

Cove-200 BACKPLATE

STYLE:

- | | |
|--|--------|
| <input type="checkbox"/> Cove-200 (0") | 0" |
| <input type="checkbox"/> Cove-200 (1") | 1" |
| <input type="checkbox"/> Cove-200 (1 1/2") | 1 1/2" |
| <input type="checkbox"/> Cove-200 (2") | 2" |
| <input type="checkbox"/> Cove-200 (2 1/2") | 2 1/2" |
| <input type="checkbox"/> Cove-200 (3") | 3" |
| <input type="checkbox"/> Cove-200 (3 1/2") | 3 1/2" |

INSULATION THICKNESS:

THICKNESS:

- 14 Gauge

3/16" PINTLE LENGTH:

- 3"
 4"
 4 3/4"
 5 1/4"
 CUSTOM _____

FINISH:

- Hot Dip Galvanized
 Stainless Steel

195 East Merrick Rd., Freeport, NY 11520 • Tel: 516.379.4232 • Fax: 516.379.4563
12282 Knott St., Garden Grove, CA 92841 • Tel: 714.891.2358 • Fax: 714.891.3731
Email: info@covefour.com • www.covefour.com