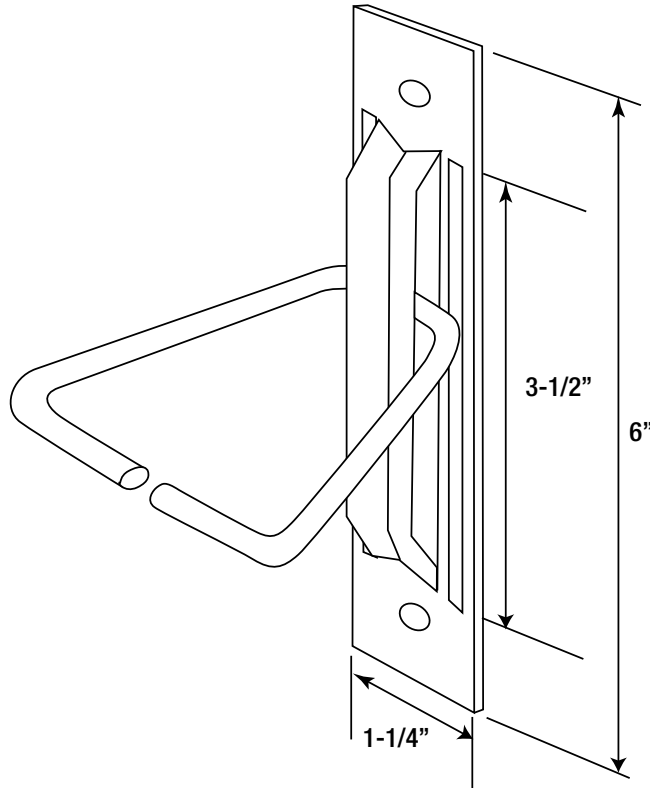


COVE

FOUR/WEST

Cove-10



Drawings For Illustrative Purposes Only.

WIRE (Carbon Steel):

Cold-drawn steel wire conforming to ASTM A 82:
Tensile strength - 80,000 p.s.i.
Yield Point - 70,000 p.s.i. minimum

Zinc Coating:

Hot-dip galvanized after fabrication:
ASTM A 153 (1.5 oz/ft)
Note: Cove Four will certify to a minimum of 2.0 oz/ft

WIRE (Stainless Steel):

ASTM A 580 - AISI Type 304. (Type 316 available on special order.)

SHEET METAL (Carbon Steel):

ASTM A 366

Zinc Coating:

ASTM A 153 Class B (sheet metal ties and anchors hot-dip galvanized after fabrication).
Note: Cove Four will certify to a minimum of 2.0 oz/ft

Sheet Metal (Stainless Steel):

ASTM A 167 - AISI Type 304 Stainless Steel (sheet metal ties and anchors) (Type 316 available on special order).
Note: Cove Four recommends Stainless Steel for maximum protection against corrosion.

Cove-10 Cove-359

THICKNESS:

14 Gauge

VEE TIE DIAMETER:

3/16"Ø Standard
 1/4"Ø Heavyweight

VEE TIE LENGTH:

3" 3 1/2" 4" 4 1/2" 5"
 Other Length _____

FINISH:

Hot Dip Galvanized Stainless Steel

195 East Merrick Rd., Freeport, NY 11520 • Tel: 516.379.4232 • Fax: 516.379.4563
12282 Knott St., Garden Grove, CA 92841 • Tel: 714.891.2358 • Fax: 714.891.3731
Email: info@covefour.com • www.covefour.com